



2/2 or 3/2 way Ball Valve, 2-Piece

- Stainless steel ball valve
- High flow rate
- High medium pressure
- Long life
- ISO 5211 Top flange



Product variants described in the data sheet may differ from the product presentation and description.

Can be combined with

	Type 2051 Pneumatic rotary actuator	▶
	Type 3003 Electrical Rotary Actuator - On/Off and control	▶
	Type 3004 Explosion Proof Rotary Actuator - On/Off and control	▶
	Type 3005 Electric Rotary Actuator - On/Off and Control	▶
	Type 1061 Accessory for pneumatic rotary actuators	▶
	Type 8792 Digital electropneumatic Positioner SideControl	▶
	Type 8805 Ball valve / Butterfly valve with pneumatic rotary actuator	▶
	Type 8804 2/2 or 3/2 way ball valve with electrical rotary actuator	▶

Type description

2/2- and 3/2-way stainless steel ball valve used to shut off and distributing medium flows. The ball valves can be connected via the mechanical interface to ISO 5211 with a pneumatic (e.g. Type 2051, Type 2052, Type 2053) or electrical rotary actuator (e.g. Type 3003, Type 3004, Type 3005).

Table of contents

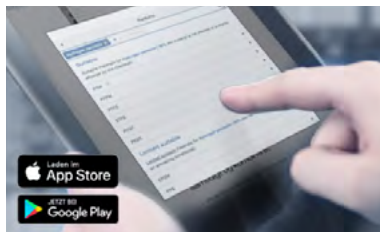
1. General Technical Data	3
2. Materials	3
2.1. Chemical Resistance Chart – Bürkert resistApp.....	3
3. Dimensions	4
3.1. 2-way, threaded.....	4
3.2. 3-way, threaded.....	5
4. Performance specifications	5
4.1. Pressure temperature diagram.....	5
4.2. Torques	6
4.3. Switching positions 3-way.....	6
5. Ordering information	6
5.1. Bürkert eShop – Easy ordering and quick delivery.....	6
5.2. Bürkert product filter.....	6
5.3. Ordering chart 2-way, threaded.....	7
5.4. Ordering chart 3-way, threaded.....	7

1. General Technical Data

Product properties	
Dimensions	Detailed information can be found in chapter "3. Dimensions" on page 4.
Materials	
Body	Stainless steel 1.4408
Ball	Stainless steel 1.4401
Selector shaft	Stainless steel 1.4401
Seal	PTFE (Ball seal) FKM (Selector shaft seal)
Nominal diameter	DN 10...50 (2/2 way) DN 10...40 (3/2 way)
Ball bore (3/2 way)	L-Bore T-Bore
Medium data	
Medium	Stainless steel body: aggressive media which do not attack the body and seal material
Medium temperature	-10 °C...200 °C (see "4.1. Pressure temperature diagram" on page 5)
Medium pressure	2/2 way: max. 100 bar (see "4.1. Pressure temperature diagram" on page 5) 3/2 way: max. 63 bar (see "4.1. Pressure temperature diagram" on page 5)
Process/Port connection & communication	
Port connection	Rp 1/4" - Rp 2" Whitworth thread acc. DIN EN 10226-1 (old DIN 2999)
Approvals and Certificates	
ISO head flange	EN ISO 5211

2. Materials

2.1. Chemical Resistance Chart – Bürkert resistApp



Bürkert resistApp – Chemical Resistance Chart

You want to ensure the reliability and durability of the materials in your individual application case? Verify your combination of media and materials on our website or in our resistApp.

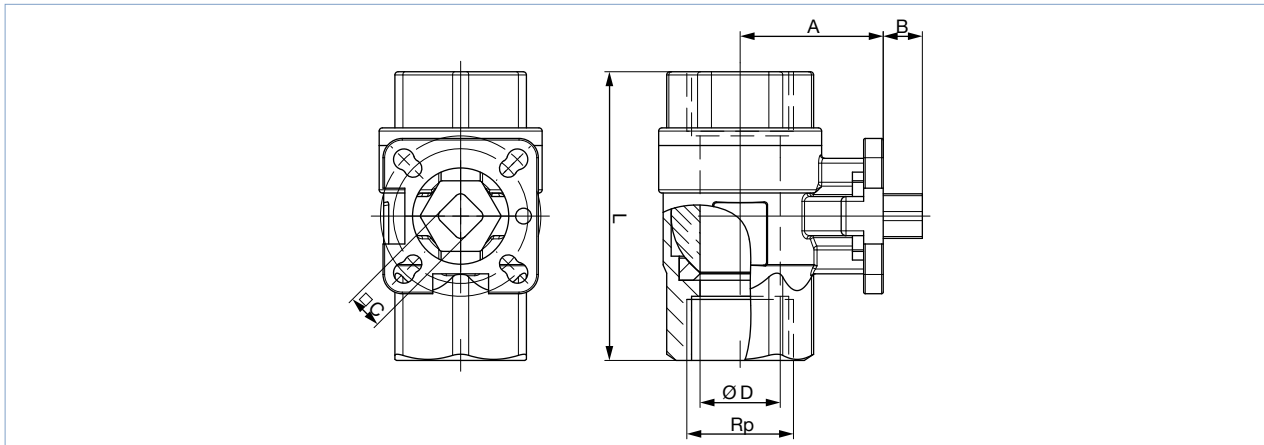
[Start Chemical Resistance Check](#)

3. Dimensions

3.1. 2-way, threaded

Note:

Dimensions in mm



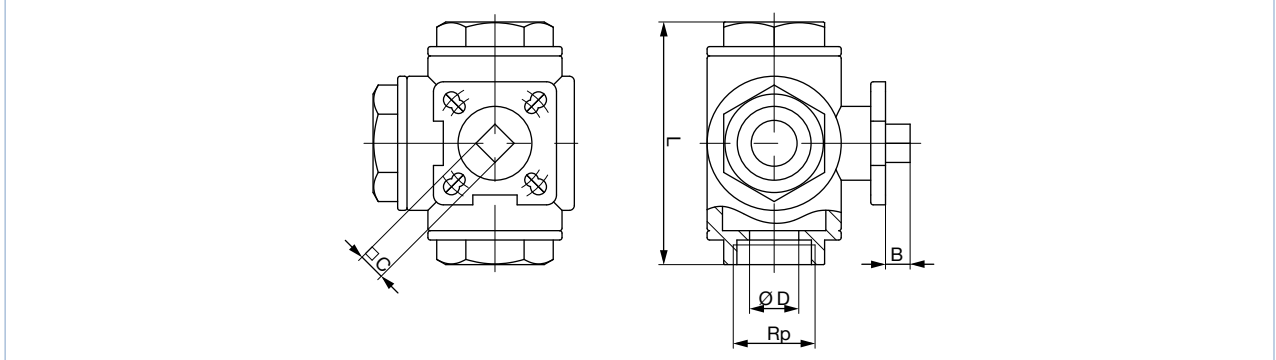
DN [mm]	Rp	D	L	A	B	C	ISO 5211	Article no.	
								Bare shaft ^{1.)}	Manual operated
10	1/4"	11.6	50	33.2	7	9	F03	185972	276475
12	3/8"	12.7	60	33.2	7	9	F03 / F04	185973	276476
15	1/2"	15	75	35	7.5	9	F03 / F04	185974	276477
20	3/4"	20	80	41	12.1	11	F04 / F05	185975	276478
25	1"	25	90	44.5	12.1	11	F04 / F05	185976	276479
32	1 1/4"	31.8	110	49.5	11.5	11	F04 / F05	185977	276480
40	1 1/2"	38	120	55	12.1	11	F04 / F05	185978	276481
50	2"	50.8	140	66.5	15.5	14	F05 / F07	185979	276482

1.) The ball valves with bare shaft are suitable for automated operation with pneumatic or electric rotary actuators.

3.2. 3-way, threaded

Note:

- Dimensions in mm
- 3-way ball valves with hand lever are included in data sheet TKU001 | 002 | 003 | 004. For further details see **Type TKU001 | 002 | 003 | 004** ▶.

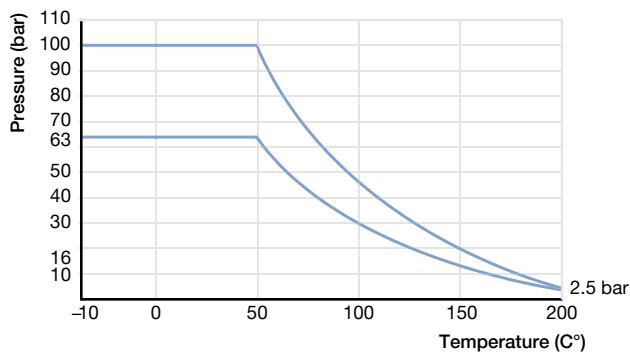


DN [mm]	Rp	D	L	B	C	ISO 5211	Article no.	
							L-Bore	T-Bore
10	1/4"	10	80	7.4	9	F03 / F04	172844	185984
12	1/2"	12	80	7.4	9	F03 / F04	185853	185987
15	3/4"	15	87.5	7.4	9	F03 / F04	172845	185988
20	1"	20	100	12.8	11	F04 / F05	172847	185989
25	1 1/4"	25	123	11.4	11	F04 / F05	172848	185990
32	1 1/2"	32	142.2	12.4	11	F04 / F05	172849	185992
40	2"	40	170.6	9.8	11	F04 / F05	172851	185993

4. Performance specifications

4.1. Pressure temperature diagram

For general industrial use



4.2. Torques

Note:

The values were measured under the following conditions: Max. Δp , ambient temperature, medium: water

Torques - 2/2 way ball valve with a PN 100 pressure rating								
DN [mm]	10	12	15	20	25	32	40	50
Breakaway torque [Nm]	13	13	16	25	31	53	76	99
Running torque [Nm]	10	10	13	20	24	43	60	80

Torques - 3/2 way ball valve with a PN 63 pressure rating								
DN [mm]	10	12	15	20	25	32	40	
Breakaway torque [Nm]	13	13	18	22	35	42	68	
Running torque [Nm]	9	9	12	14	23	28	45	

4.3. Switching positions 3-way

Ball bore		T				L
Position	0°					
	90°					
Switching position		T1	T2	T3	L4	

5. Ordering information

5.1. Bürkert eShop – Easy ordering and quick delivery



Bürkert eShop – Easy ordering and fast delivery

You want to find your desired Bürkert product or spare part quickly and order directly? Our online shop is available for you 24/7. Sign up and enjoy all the benefits.

[Order online now](#)

5.2. Bürkert product filter



Bürkert product filter – Get quickly to the right product

You want to select products comfortably based on your technical requirements? Use the Bürkert product filter and find suitable articles for your application quickly and easily.

[Try out our product filter](#)

DTS 1000010994 EN Version: J Status: RL (released | freigegeben | validé) printed: 28.08.2020

5.3. Ordering chart 2-way, threaded

Note:

Detailed information can be found in chapter [“3.1. 2-way, threaded”](#) on page 4.

5.4. Ordering chart 3-way, threaded

Note:

Detailed information can be found in chapter [“3.2. 3-way, threaded”](#) on page 5.

Bürkert – Close to You

For up-to-date addresses
please visit us at
www.burkert.com

DTS 1000010994 EN Version: J Status: RL (released | freigegeben | validé) printed: 28.08.2020

